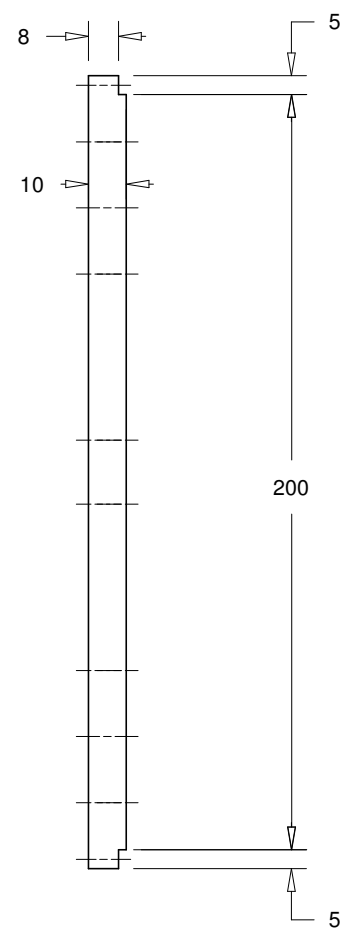
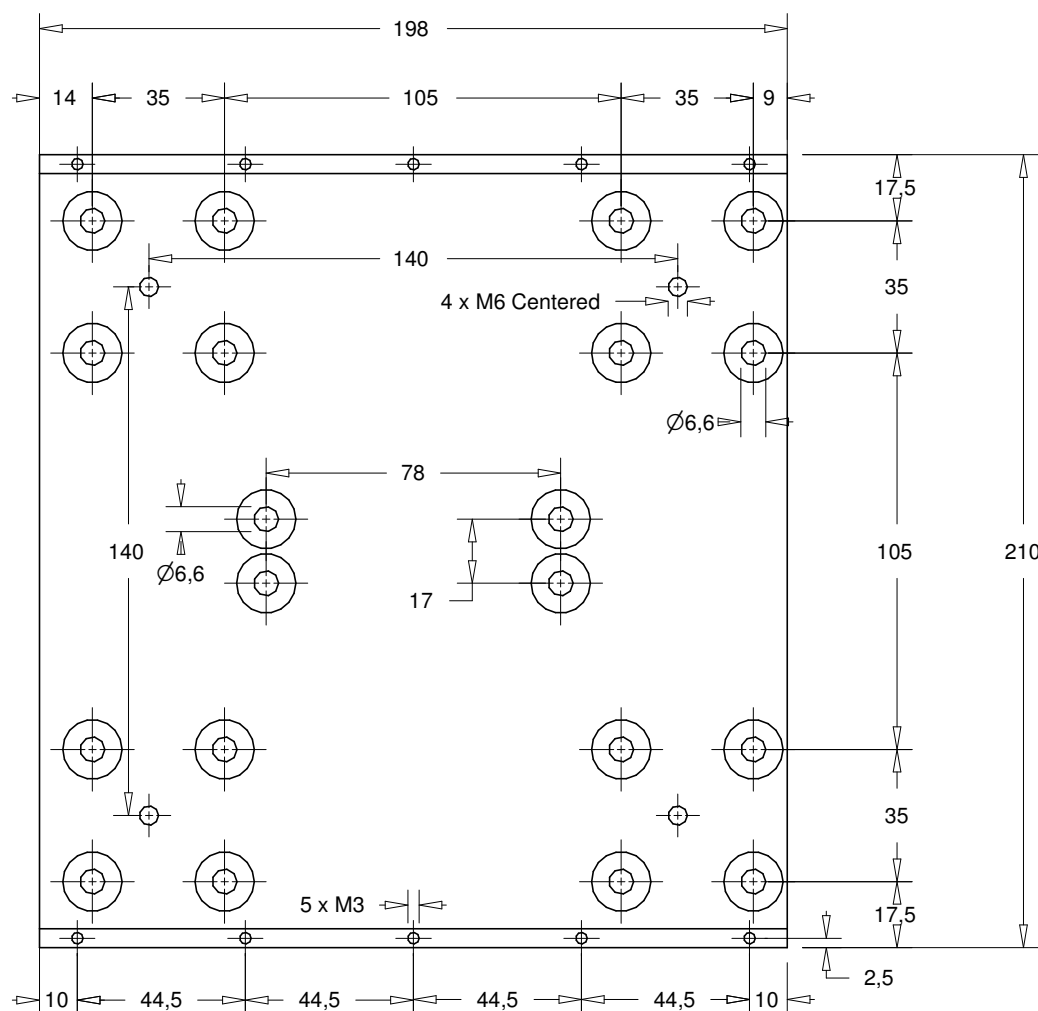
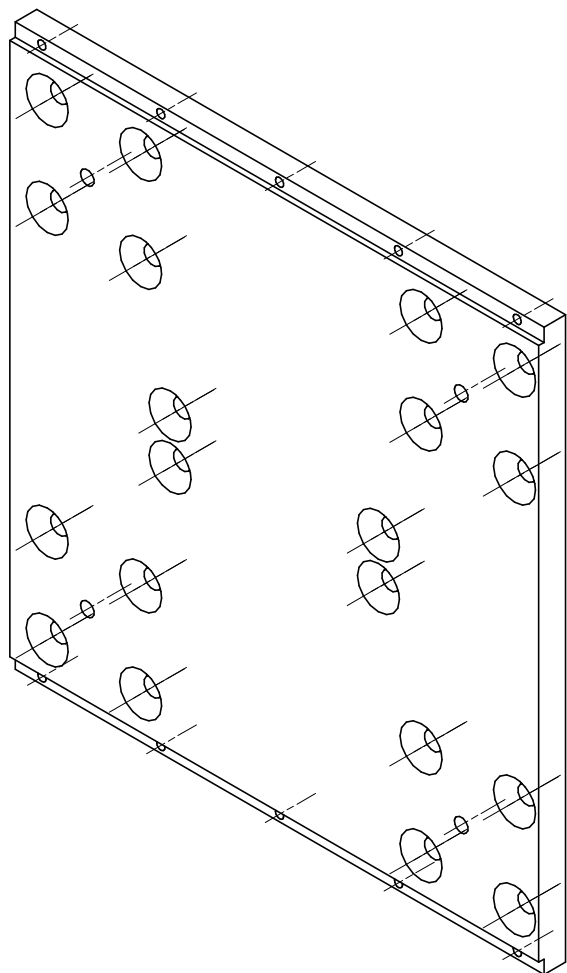


1**2****3****4****5****6****A****B****C****D****E****F****G**

Drawn by: gvdw

Client:

Date:26/05/2015

Material:AlMgSi0.5

Toleranties:DIN7168 mittel

Heading:

Basisplaat Lineaire Geleidingen

Formaat:A4

Scale:

Dwg nr.: 150526/04

**CONSTRUCTION
VAN DE WALLE**

J.Parijslaan 30

B-9940 EVERGEM

Belgium

tel:+32.92.53.58.58

fax:+32.92.53.71.72

mailto:ghislain@vdwalle.com

H